



V-200PA Automatic Screen Filter

V-200PA Specifications

General Information

The new V-200PA features the most advanced and cost effective self-cleaning screen filtration technology available today; ideal for flow rates from 30 gpm to 220 gpm.

The V-200PA is constructed using glass reinforced acetal and 316L stainless steel. The inherent corrosion resistance of these materials ensures a long service life under a wide range of water quality conditions.

The V-200PA offers the ideal solution for automatic filtration as fine as 10 micron.

The V-Series® patented drive mechanism used in the V-200PA is extremely efficient resulting in:

- fewer moving parts
- simpler controls
- the lowest flush flow rates and volumes available
- high cleaning efficiencies; cleans in one pass
- very low maintenance requirements

The V-Series' 10 to 15 second flush cycle is automatically initiated when a pressure differential across the screen increases to a maximum of 7 psi. The filter remains on-line and the filtration process remains uninterrupted during the cleaning process. The flush discharge is the lowest available resulting in minimal waste.

The V-200PA is perfectly suited for process water, cooling tower filtration, pre-filtration of membrane, irrigation, or wherever suspended solids are removed down to 10 micron.

When installed with a hydraulic controller and diaphragm valve, the filtration system operates using only line-pressure without requiring any electricity. An ideal solution for remote filtration applications.

Materials

- Filter body
 - 3" NPT inlet/outlet
 - 1.5" NPT flush line
 - Glass reinforced Acetal

- Screens
 - 316L SS sintered

- #### Filtration Range
- 10 to 1500 micron
 - 2000 to 13 mesh

- #### Flow Range
- 30 to 220 gpm per filter

- #### Max Pressure
- 150 psi

- #### Min Pressure
- 35 psi **

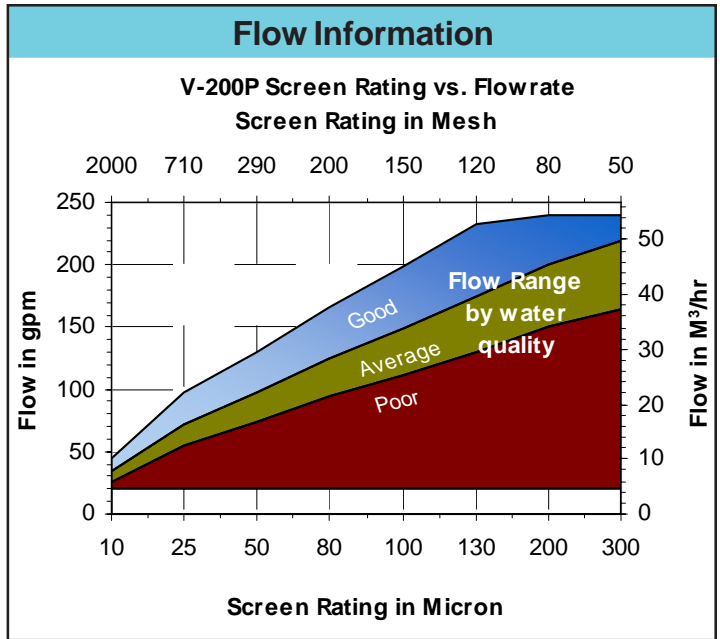
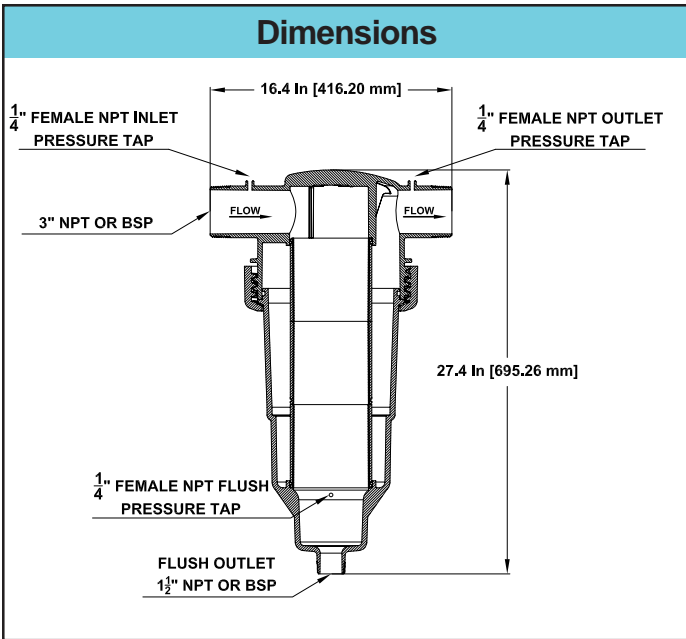
- #### Flush Cycle
- 10 to 15 seconds

- #### Control Options
- VF1-H - single filter hydraulic controller, does not require electricity
 - VF1-B - battery powered, single filter
 - VF4-AC - electronic, standard model controls up to 4 filters **

** Other options are available on request.

Valve and Filter

5270 Marshall Street, Arvada, CO 80002 USA
Phone 303-425-4242 Fax 303-425-0112
www.valveandfilter.com
sales@valveandfilter.com



Typical Degree of Filtration

	Micron	50	80	100	120	200	300
Drip Tape							
Drip Emitters							
Foggers/Misters							
Micro-Jets							
Micro Sprinklers							
Spray Heads							
Impact Sprinklers							
Valve and Head							
Gear and Rotor							
Mussels & Clams		Varies					

Microns Shown Are Stocked Screens

Specifications

Model	Screen Area (in ²)	Nominal Flow (Average Water Quality)				Flush Flow (10 seconds)	Number of Nozzles	Dry Weight
		100 micron (150 mesh)	120 micron (130 mesh)	200 micron (80 mesh)	300 micron (50 mesh)			
V-200P	175	150 gpm	170 gpm	200 gpm	220 gpm	5 gallons	3	25lbs

Nominal Flow rates shown above are for demonstration purposes only. Smaller micron ratings result in lower allowable flow rates. Call Valve and Filter for details. Dimensions are approximate, please contact Valve and Filter for drawings.

List Prices

Model	Description	Controller	List
V200PA-3N-XXX-N	3" NPT IN/OUT, XXX Micron V-200P Filter	NONE	\$ 2,995.00
V200PA-3N-XXX-M	3" NPT IN/OUT, XXX Micron, Manually Flushed V-200P Filter	1.5" Manual Ball Valve	\$ 3,095.00
V200PA-3N-XXX-H	3" NPT IN/OUT, XXX Micron, Automatically Flushed V-200PA Filter	Hydraulically Powered	\$ 3,675.00
V200PA-3N-XXX-B	3" NPT IN/OUT, XXX Micron, Automatically Flushed V-200PA Filter	Battery Powered	\$ 4,550.00
V200PA-3N-XXX-E	3" NPT IN/OUT, XXX Micron, Automatically Flushed V-200PA Filter	120VAC or 220VAC Powered	\$ 6,385.00

Systems '-H', '-B' & '-E' Include Nylon Diaphragm Flush Valve; For Upgrade To 1.5" Cast Iron Flush Valve, Add \$145 To List Price

Valve and Filter

5270 Marshall Street, Arvada, CO 80002 USA
 Phone 303-425-4242 Fax 303-425-0112
www.valveandfilter.com
sales@valveandfilter.com

